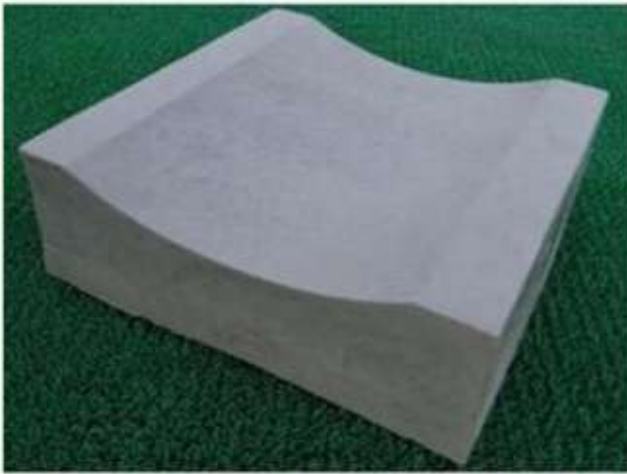




A step towards green future!

ACC PRODUCTS

CATALOUGE



PARAMPARA BUILDERS INTRODUCED GREEN BUILDING CENTRE



ACC OTHER *products*

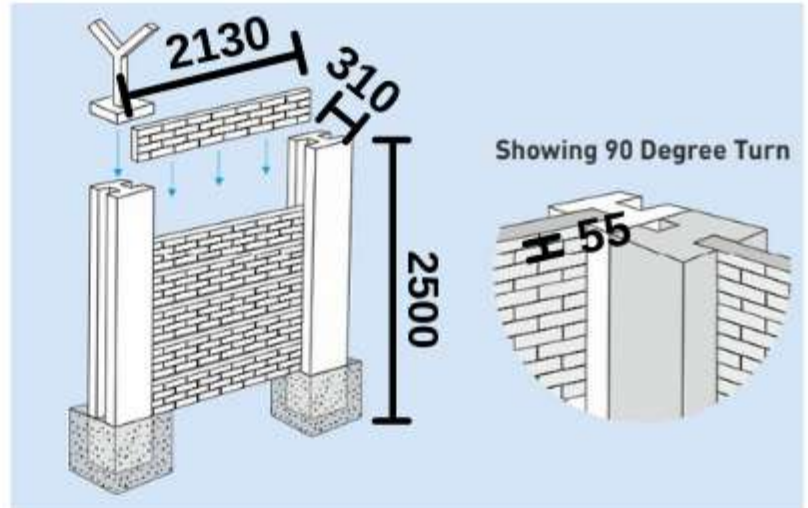
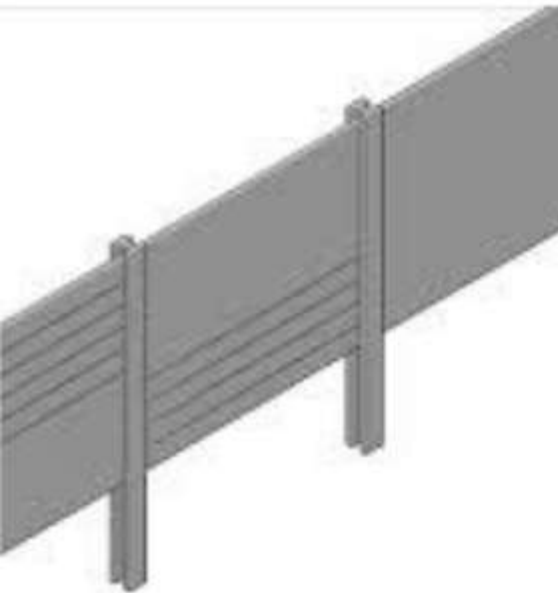




230*110*75

- . Uniform size and shape requiring less mortar and plaster.
- Need lesser number of green bricks compared to red bricks for every cubic meter.
- Approved for use in various Govt. departments (CWPD, PWD, MES).
- Produced as per BIS (Bureau of India Standards).
- No seepness
- Eco- friendly, No pollution

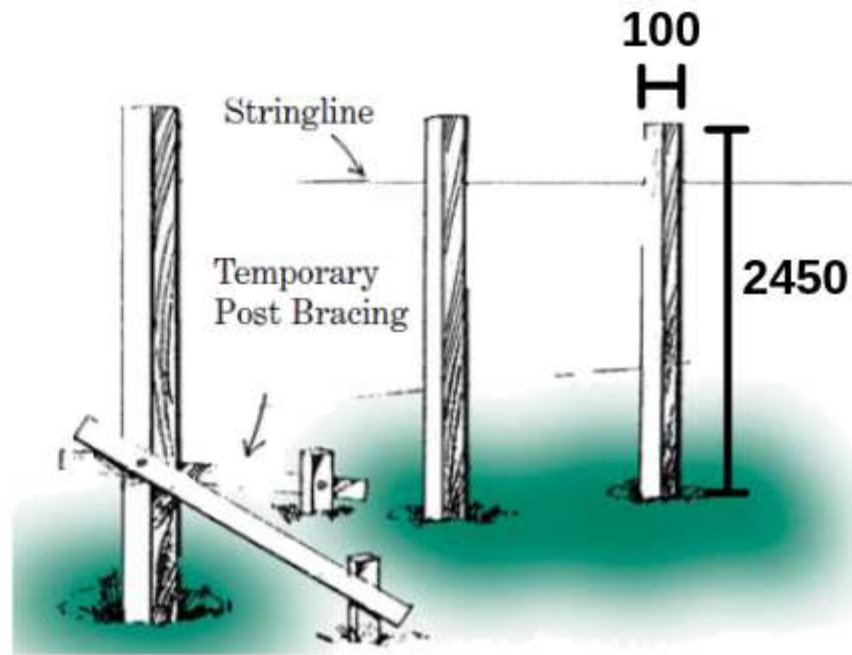




SPECIFICATION

1. A pit is dug with a depth of 2ft and dia of minimum 300mm.
2. The bottom of the pit is leveled by using kachi rodi.
3. The post is inserted in the pit and the gap is filled with lean concrete. (1:3:6 mix design)
4. The panels are lowered horizontally into the grooves of two adjacent poles.
5. While installing poles it is important to ensure verticality, accurate center to center distance and that the posts are in the same vertical plane.

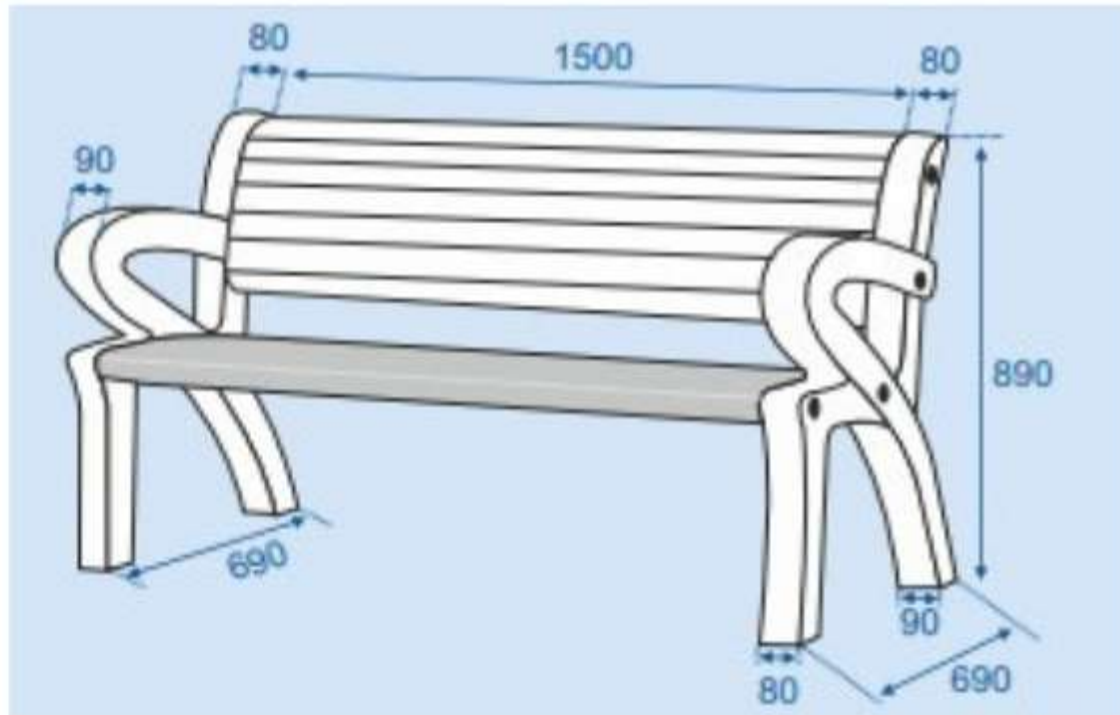




SPECIFICATION

- Brick Texture on one or both sides with or without integral color.
- The post is embedded in ground up to a depth of 2 ft
- Posts are set 1.615 m to 1.665 m on center based on size of the post.
- Panels are stacked one on top of the other
- Concrete compressive strength of M-30 at 28 days.
- Steel reinforced posts & panels.
- Boundary walls can be built in height ranging from 6ft to 8ft above ground.
- Concertina coil can be optionally attached to the top of the post.
- Thickness: 150MM





SPECIFICATION

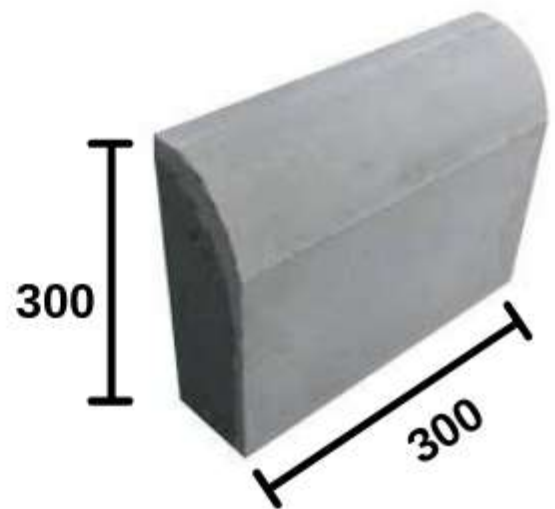
- Strong and durable
- Easy- to- install
- Spacious and beautiful designs
- 3 seater





GREEN BUILDING
CENTRE

ACC Kerb Stone



SPECIFICATION

Material : M-30 grade concrete

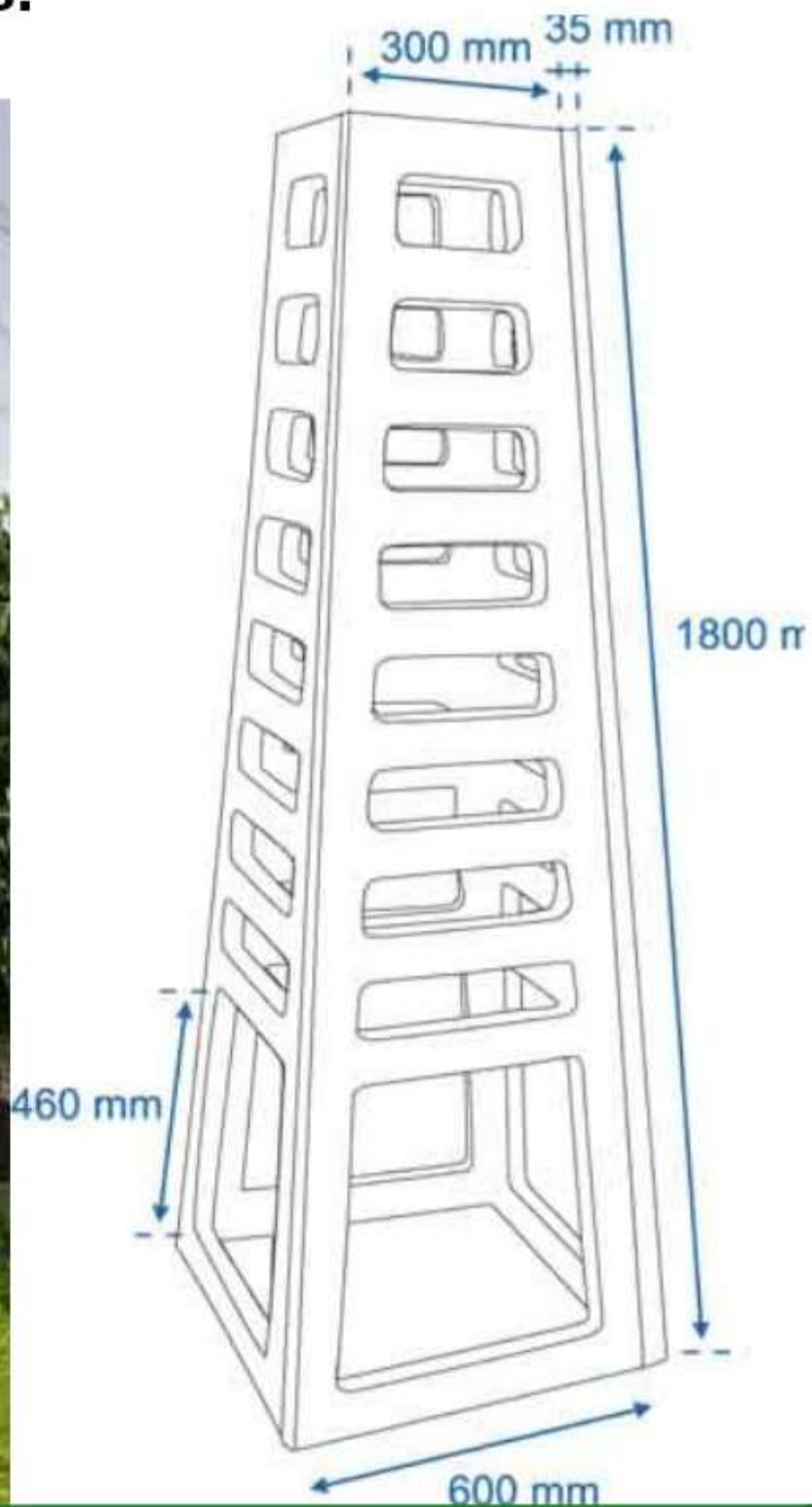
Size : Available in 150mm and
100 mm thickness

Colours available:





These products are widely used for guarding the trees from animals.



It provides a complete solution for quality toilet construction.

Handed over in a ready-to-use state

They come in different designs as per government specifications and customer demands





**GREEN BUILDING
CENTRE**

ACC cover blocks



Type A (20, 25)

Type B (25)

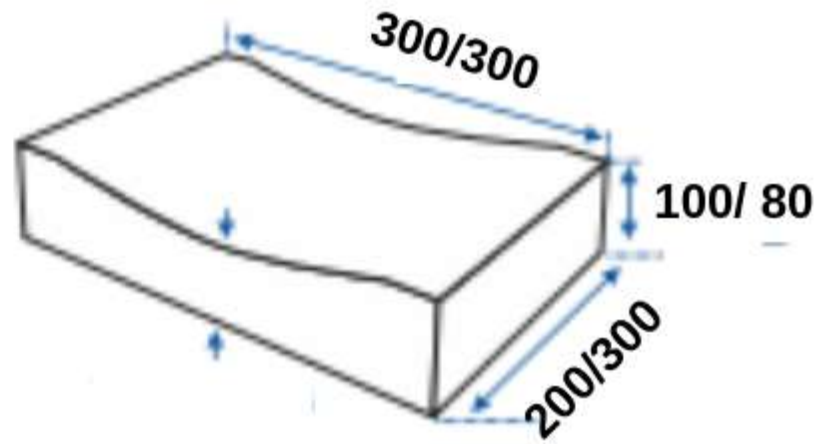
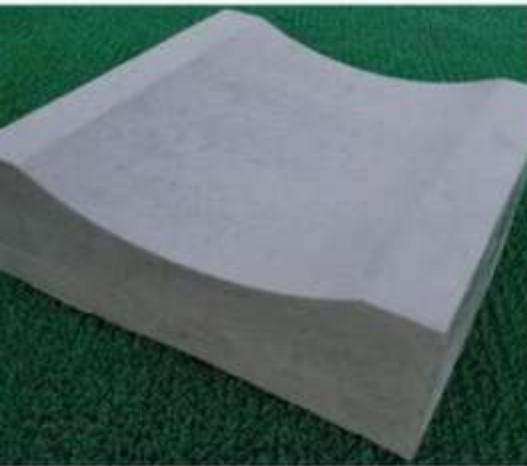
Type C (20, 25, 40, 50)



Provides superior protection to steel rebars from rust and corrosion and enhances the life of the roof

Helps in maintaining the distance between iron bars and shuttering





SPECIFICATION

- Durable standards,
- Functional efficiency,
- Reliability,
- Resistance against weather,
- dimensional accuracy.
- Manufactured with M – 30 grade of concrete.

FEATURES

- Various sizes.
- Various shapes.
- Suitably Reinforced.





Types of insitu Green Concrete

Foundation Concrete. (For Footing & Basement)

• Industrial Flooring Concrete (High Strength Steel/ Fibre reinforced)

• Slab Concrete (Water Proof)

• Various Types of Insitu Green concrete as per requirement (M-10/15/20/25/35 & above) at site on turn key basis

Inclusive of Transportation slab shuttering check, laying, compaction, curing and strength test with certified lab.

- Savings in labour cost and supervision of labour.
- Faster and speedier construction.

Flexibility in concrete design mixes.

- Reduces inventory material handling and storage of raw material at sites





**GREEN BUILDING
CENTRE**

VISIT US AT

**GBC Parampara, Opp
Lodhipur, Delhi road,
Moradabad**

6397999502, 0591-2970248/2414238



ACC
cement

Cementing Relationships